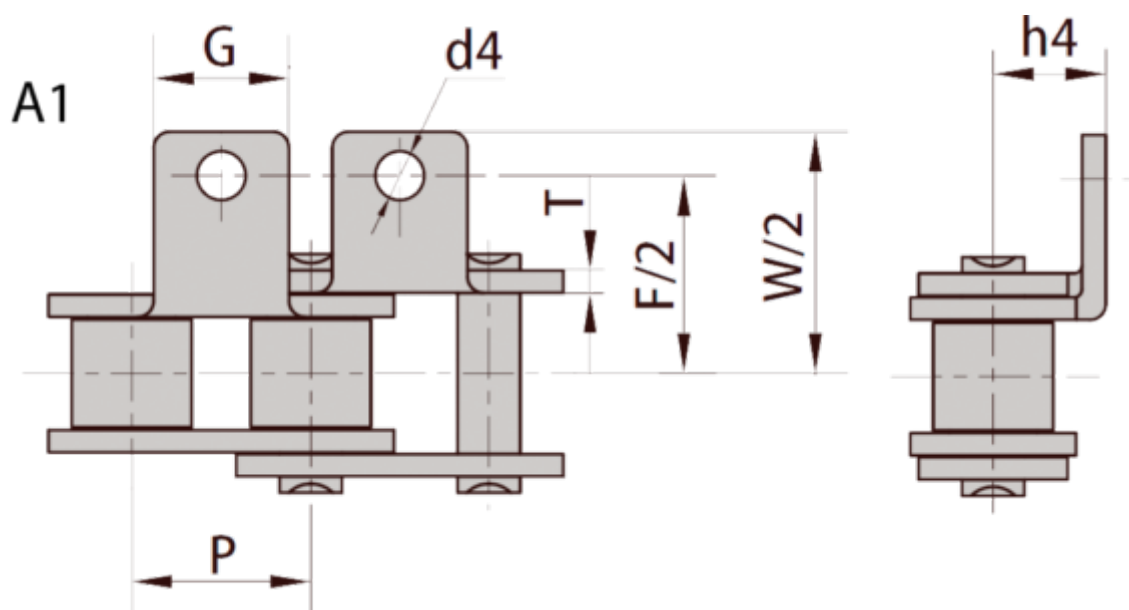


Article number: 6100110041011

Description: 06B1

A1 angled one hole attachment link, spring clip type

Measures



d4 = 3.5
F = 19.04
G = 8.0
h4 = 6.50
P = 9525
T = 1.30
W = 27.0